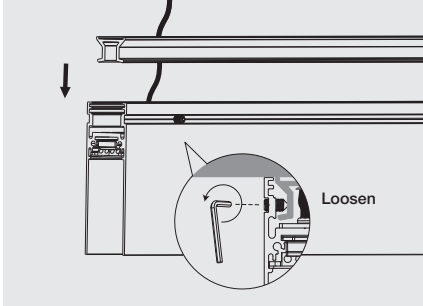
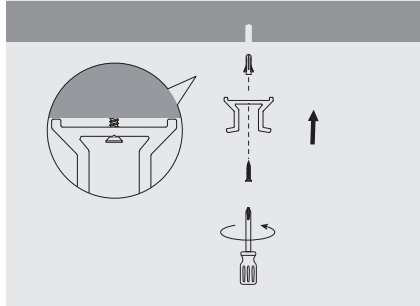


⚡ PLEASE MAKE SURE THAT MAINS IS DISCONNECTED BEFORE PROCEEDING!

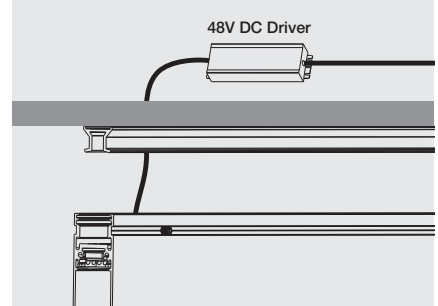
Follow the steps as illustrated below



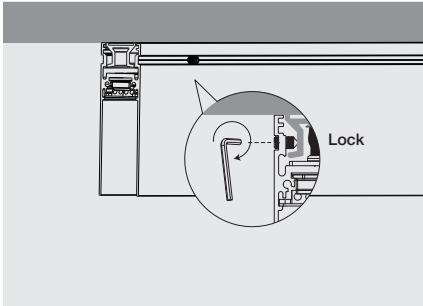
1. Loosen hex screws on sides to remove mounting bracket from magnetic track.



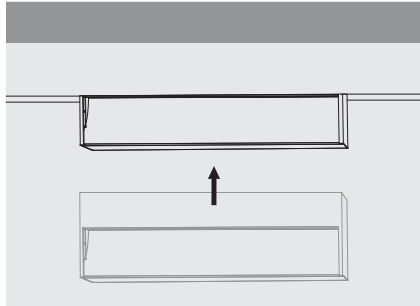
2. Install mounting bracket onto ceiling with screws.



3. Connect magnetic track to 48V DC driver.

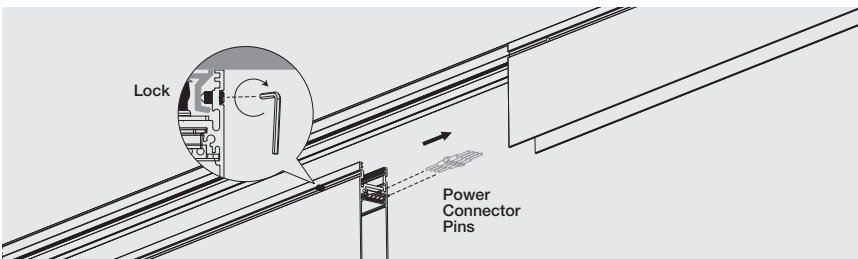


4. Attach magnetic track onto mounting bracket and secure all hex screws on the sides.

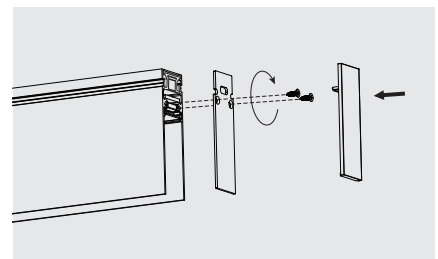


5. Attach luminaire onto magnetic track to complete installation.

For longer length track configurations that require interconnecting track sections, please interconnect tracks and/or accessories as illustrated below



1. Insert power connector pins in between magnetic track sections, then attach magnetic tracks onto mounting bracket and secure all hex screws on the sides.



2. Screw on end plates and clip-on end caps onto both ends of magnetic track

SAFETY WARNING

- Luminaires **MUST** be installed by licensed electrician in accordance with local standards.
- LED modules **MUST ONLY** be connected to supplied LED drivers. It is not compatible with any other type of driver. Failure to adhere to this may cause damage and void warranty.
- **DO NOT COVER** lamp or driver under any circumstances.
- Ensure mains supply is not energised and/or is disconnected prior to installation/ connection/disconnection of LED module from LED driver.
- Luminaires must not be Megger tested or connected during any in-circuit testing.
- No user serviceable parts. Do not attempt to disassemble or repair lamp or driver.
- Do not use in flammable or explosive environments.
- Do not attempt to modify luminaires or supplied wiring in any way.
- Allow suitable air flow and ventilation around the luminaire.

DIMMER COMPATIBILITY DECLARATION

Our Luminaires are designed for industry and home commonly used standard phase dimmers for best lighting effect achievement to provide added value to customers.

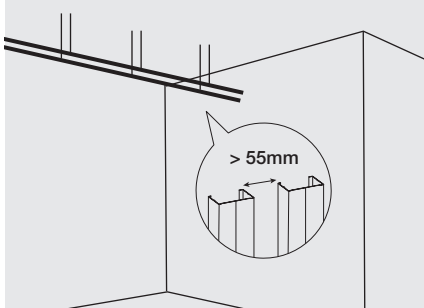
However, with thousands of dimmer models available in the market today, 100% compatibility cannot be guaranteed. In order to avoid disappointment, it is advised to use dimmer models that have been tested to be compatible. The latest information on dimming compatibility is available within our Dimmer Compatibility Card and can be obtained through our website and local distributors.

If any intended dimmer model to be used is not listed in our Dimmer Compatibility Card, kindly contact us and send in the dimmer to be tested. We will respond within the shortest possible time and advise on the compatibility with our luminaires.

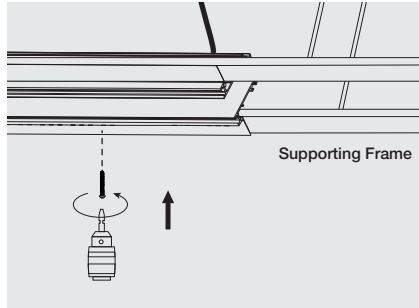
We will not be responsible for all losses due to the incompatibility of the dimmer with our luminaires. Incompatibility includes abnormal operations i.e., flicker, throb, delayed on/off, failure, narrow dimming ranges, etc. and are not limited to the above mentioned conditions.

⚡ PLEASE MAKE SURE THAT MAINS IS DISCONNECTED BEFORE PROCEEDING!

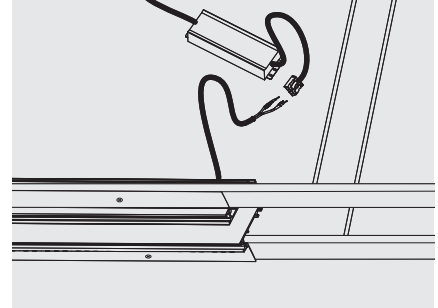
Follow the steps as illustrated below



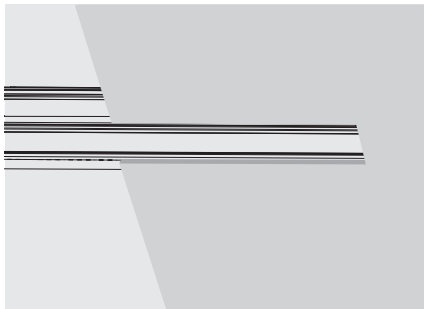
1. Supporting frames must be preinstalled above ceiling or behind partition walls.



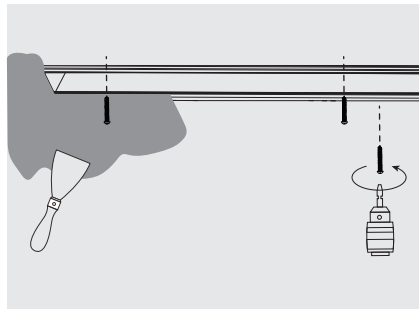
2. Install recessed magnetic track onto supporting frames with screws.



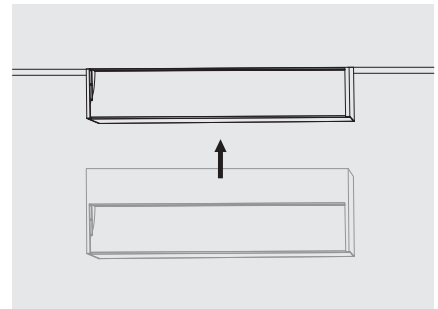
3. Connect magnetic track to 48V DC driver.



4. Pre-cut openings for recessed magnetic track on ceiling or partition wall panels.

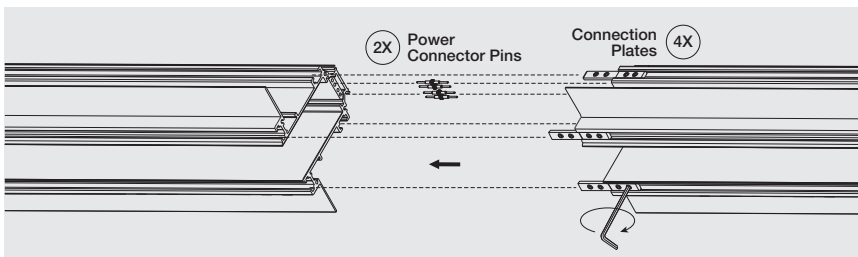


5. Install ceiling or partition wall panels, then plaster and paint.

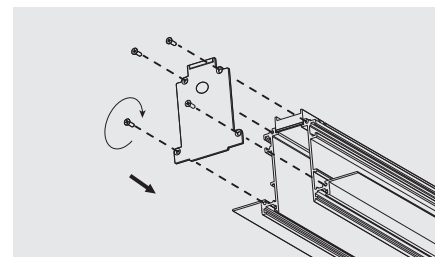


6. Attach luminaire onto magnetic track to complete installation.

For longer length track configurations that require interconnecting track sections, please interconnect tracks and/or accessories as illustrated below before installation



1. Insert power connection kit (2 x power connector pins, 4 x connection plates) in between magnetic track sections, then secure hex screws on connection plates.



2. Screw on end caps onto both ends of magnetic track.

SAFETY WARNING

- Luminaires **MUST** be installed by licensed electrician in accordance with local standards.
- LED modules **MUST ONLY** be connected to supplied LED drivers. It is not compatible with any other type of driver. Failure to adhere to this may cause damage and void warranty.
- **DO NOT COVER** lamp or driver under any circumstances.
- Ensure mains supply is not energised and/or is disconnected prior to installation/connection/disconnection of LED module from LED driver.
- Luminaires must not be Megger tested or connected during any in-circuit testing.
- No user serviceable parts. Do not attempt to disassemble or repair lamp or driver.
- Do not use in flammable or explosive environments.
- Do not attempt to modify luminaires or supplied wiring in any way.
- Allow suitable air flow and ventilation around the luminaire.

DIMMER COMPATIBILITY DECLARATION

Our Luminaires are designed for industry and home commonly used standard phase dimmers for best lighting effect achievement to provide added value to customers.

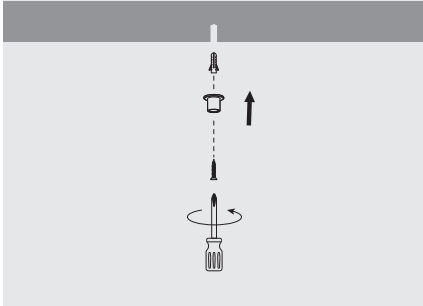
However, with thousands of dimmer models available in the market today, 100% compatibility cannot be guaranteed. In order to avoid disappointment, it is advised to use dimmer models that have been tested to be compatible. The latest information on dimming compatibility is available within our Dimmer Compatibility Card and can be obtained through our website and local distributors.

If any intended dimmer model to be used is not listed in our Dimmer Compatibility Card, kindly contact us and send in the dimmer to be tested. We will respond within the shortest possible time and advise on the compatibility with our luminaires.

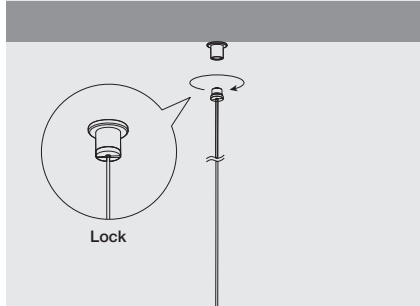
We will not be responsible for all losses due to the incompatibility of the dimmer with our luminaires. Incompatibility includes abnormal operations i.e., flicker, throbb, failure, narrow dimming ranges, etc. and are not limited to the above mentioned conditions.

⚡ PLEASE MAKE SURE THAT MAINS IS DISCONNECTED BEFORE PROCEEDING!

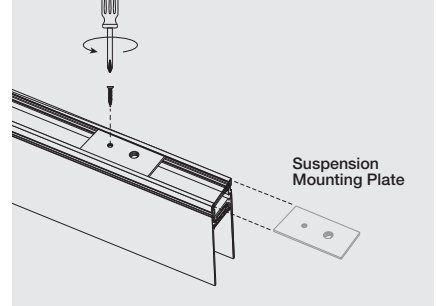
Follow the steps as illustrated below



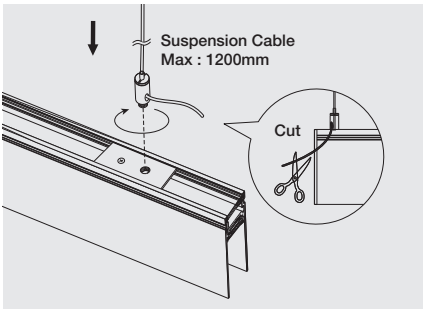
1. Install suspension cable bracket onto ceiling with screw.



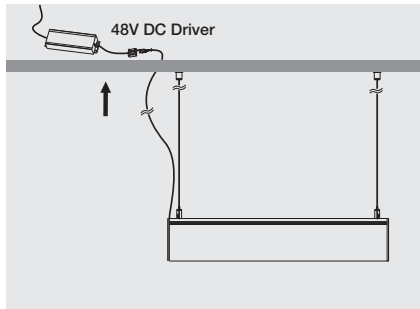
2. Rotate clockwise to attach suspension cable onto ceiling bracket.



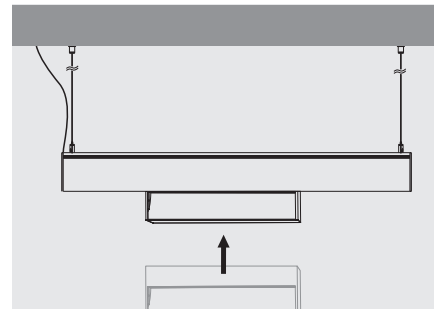
3. Slot in suspension mounting plate onto magnetic track.



4. Attach suspension cable onto suspension mounting plate and adjust length.

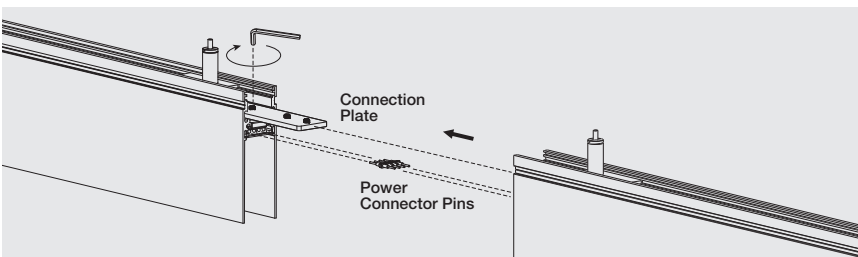


5. Connect magnetic track to 48V DC driver.

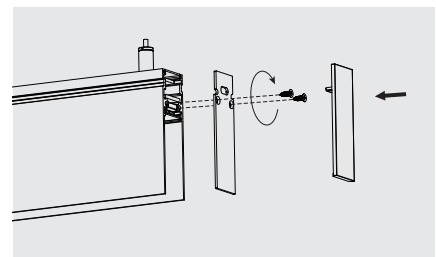


6. Attach luminaire onto magnetic track to complete installation.

For longer length track configurations that require interconnecting track sections, please interconnect tracks and/or accessories as illustrated below



1. Insert power connector pins and connection plate in between magnetic track sections, then secure hex screws on connection plates.



2. Screw on end plates and clip-on end caps onto both ends of magnetic track.

SAFETY WARNING

- Luminaires **MUST** be installed by licensed electrician in accordance with local standards.
- LED modules **MUST ONLY** be connected to supplied LED drivers. It is not compatible with any other type of driver. Failure to adhere to this may cause damage and void warranty.
- **DO NOT COVER** lamp or driver under any circumstances.
- Ensure mains supply is not energised and/or is disconnected prior to installation/connection/disconnection of LED module from LED driver.
- Luminaires must not be Megger tested or connected during any in-circuit testing.
- No user serviceable parts. Do not attempt to disassemble or repair lamp or driver.
- Do not use in flammable or explosive environments.
- Do not attempt to modify luminaires or supplied wiring in any way.
- Allow suitable air flow and ventilation around the luminaire.

DIMMER COMPATIBILITY DECLARATION

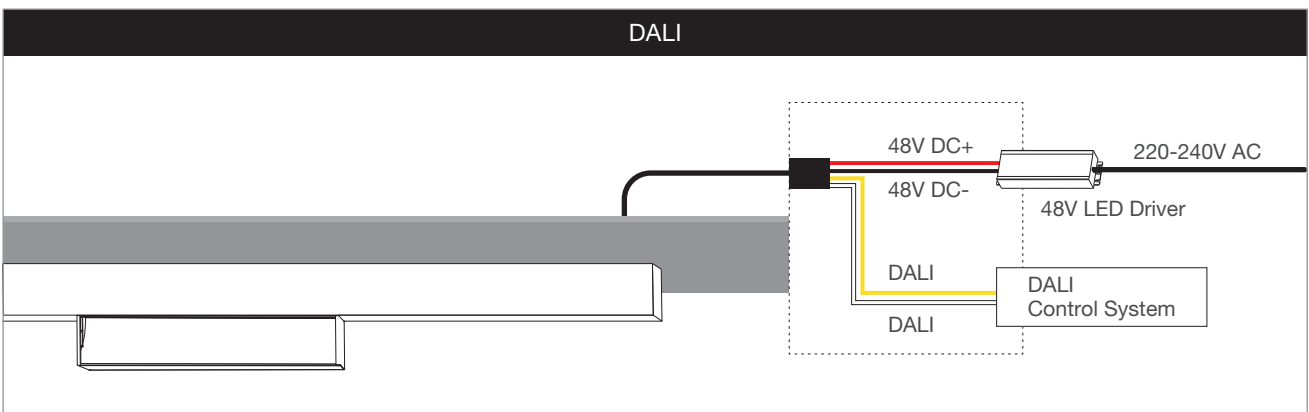
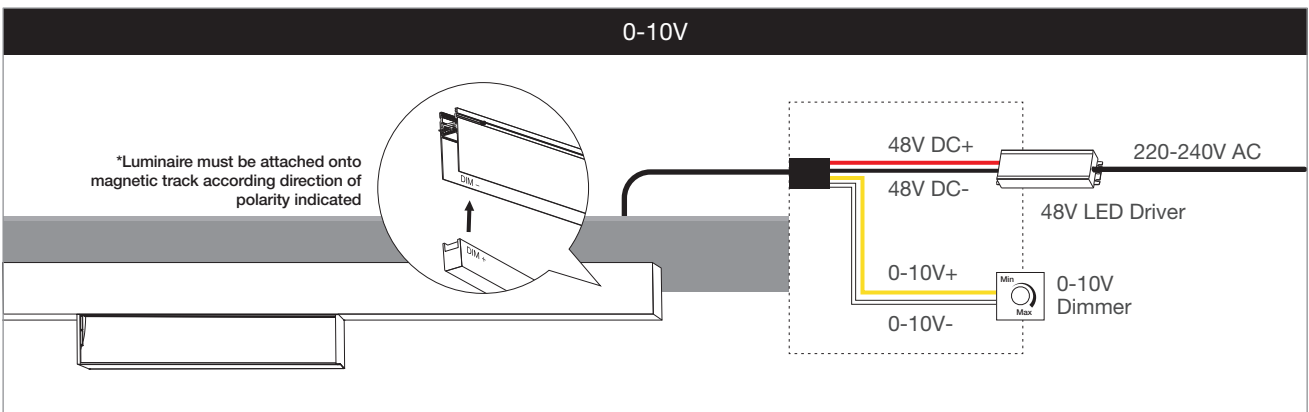
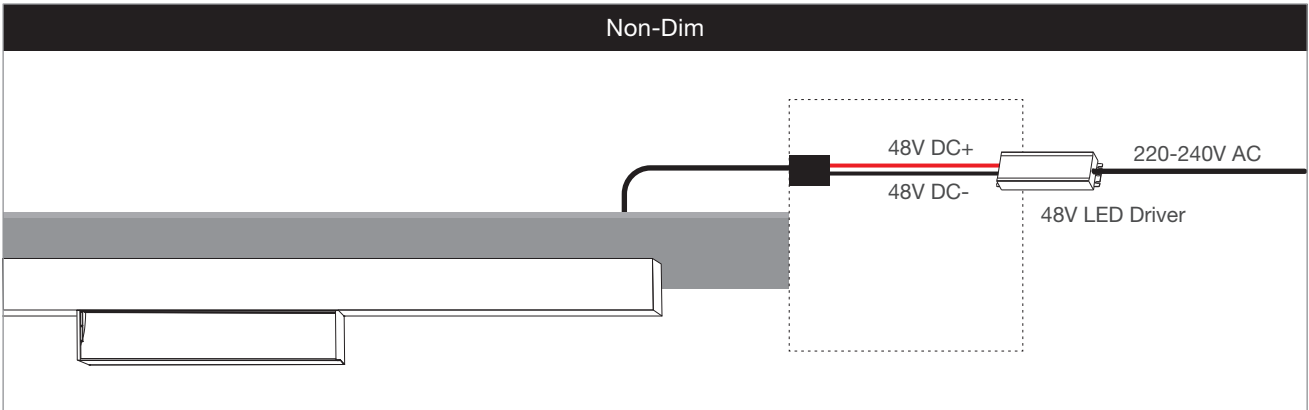
Our Luminaires are designed for industry and home commonly used standard phase dimmers for best lighting effect achievement to provide added value to customers.

However, with thousands of dimmer models available in the market today, 100% compatibility cannot be guaranteed. In order to avoid disappointment, it is advised to use dimmer models that have been tested to be compatible. The latest information on dimming compatibility is available within our Dimmer Compatibility Card and can be obtained through our website and local distributors.

If any intended dimmer model to be used is not listed in our Dimmer Compatibility Card, kindly contact us and send the dimmer to be tested. We will respond within the shortest possible time and advise on the compatibility with our luminaires.

We will not be responsible for all losses due to the incompatibility of the dimmer with our luminaires. Incompatibility includes abnormal operations i.e., flicker, throbbing, delayed on/off, failure, narrow dimming ranges, etc. and are not limited to the above mentioned conditions.

⚡ PLEASE MAKE SURE THAT MAINS IS DISCONNECTED BEFORE PROCEEDING!



SAFETY WARNING

- Luminaires MUST be installed by licensed electrician in accordance with local standards.
- LED modules MUST ONLY be connected to supplied LED drivers. It is not compatible with any other type of driver. Failure to adhere to this may cause damage and void warranty.
- DO NOT COVER lamp or driver under any circumstances.
- Ensure mains supply is not energised and/or is disconnected prior to installation/ connection/disconnection of LED module from LED driver.
- Luminaires must not be Megger tested or connected during any in-circuit testing.
- No user serviceable parts. Do not attempt to disassemble or repair lamp or driver.
- Do not use in flammable or explosive environments.
- Do not attempt to modify luminaires or supplied wiring in any way.
- Allow suitable air flow and ventilation around the luminaire.

DIMMER COMPATIBILITY DECLARATION

Our Luminaires are designed for industry and home commonly used standard phase dimmers for best lighting effect achievement to provide added value to customers.

However, with thousands of dimmer models available in the market today, 100% compatibility cannot be guaranteed. In order to avoid disappointment, it is advised to use dimmer models that have been tested to be compatible. The latest information on dimming compatibility is available within our Dimmer Compatibility Card and can be obtained through our website and local distributors.

If any intended dimmer model to be used is not listed in our Dimmer Compatibility Card, kindly contact us and send in the dimmer to be tested. We will respond within the shortest possible time and advise on the compatibility with our luminaires.

We will not be responsible for all losses due to the incompatibility of the dimmer with our luminaires. Incompatibility includes abnormal operations i.e., flicker, throb, delayed on/off, failure, narrow dimming ranges, etc. and are not limited to the above mentioned conditions.